



Visualux

EL Inverter Guide

Visualux Ltd
PO Box 30, Ilfracombe, North Devon EX34 8YT
United Kingdom
Tel: +44(0)1271 865865 Fax: +44(0)1271 865830
Email: sales@visualux.com



Visualux Ltd

PO Box 30, Ilfracombe, North Devon EX34 8YT

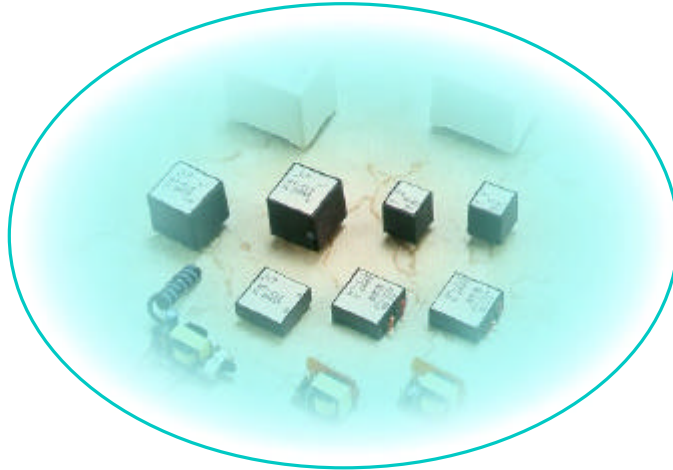
United Kingdom

Tel: +44(0)1271 865865

Fax: +44(0)1271 865830

Email: sales@visualux.com

Standard EL Inverters



Inverter No.	Approx. Drive Area cm ²	Page
7010	9 – 15	2
7020	45 – 100	3
7030	70 – 100	4
7040	45 – 70	5
7050	80 - 120	6

Visualux Ltd

PO Box 30

Ilfracombe

North Devon

EX34 8YT

United Kingdom

Tel: +44(0)1271 865865

Fax: +44(0)1271 865830

email: sales@visualux.com

MODEL NO.	VLXINV-7010	ISSUED DATE:	DEC. 31, 1997
-----------	-------------	--------------	---------------

1. Electrical characteristics

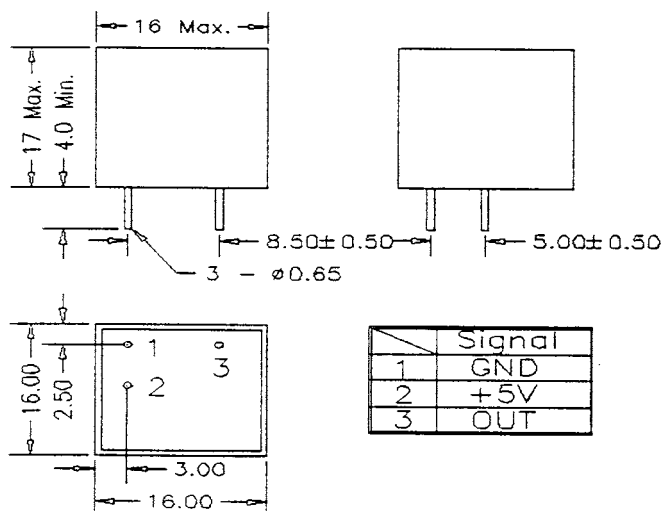
Item	SYM	Unit	Test condition	Ratings.
Oscillation Min. Voltage	V _{in}	VDC		2.0 Min.
I/P CURRENT	I _{in}	mA	V _{in} = 5.0VDC	15 Typ.
O/P VOLTAGE	V _{out}	V _{rms}	V _{in} = 5.0VDC	72 - 92
O/P FREQUENCY	f _{osc}	Hz	V _{in} = 5.0VDC	480 - 720

V_{in}=5V ± 10%, T_a=25°C, applied load area ≈ 20 cm²

2. Absolute maximum ratings

Item	SYM	Min.	Max.	Unit
INPUT VOLTAGE	V _{in}	0	6.0	VDC
OPERATING TEMP.	T _{op}	0	50	°C
STORAGE TEMP.	T _{stg}	-20	65	°C

3. Outline dimension (in mm):



Package Material : ABS Resin, Color : Black, Internal: Epoxy Resin Compound

Note:

- Breakdown may occur if power is applied without EL lamp connected to load side.
- Operation with the output short-circuited may cause breakdown.
- Never exceed input voltage specification.

DOC. NO.	WAC-9712004	ISSUED BY:	REVISION	DESCRIPTION
DRAWN :				
CHECKED :				
APPROVED:			SHEET	1 OF 1

Visualux Ltd

PO Box 30

Ifracombe

North Devon

EX34 8YT

United Kingdom

Tel: +44(0)1271 865865

Fax: +44(0)1271 865830

email: sales@visualux.com

MODEL NO.	VLXINV-7020	ISSUED DATE:	DEC. 30, 1997
-----------	-------------	--------------	---------------

1. Electrical characteristics

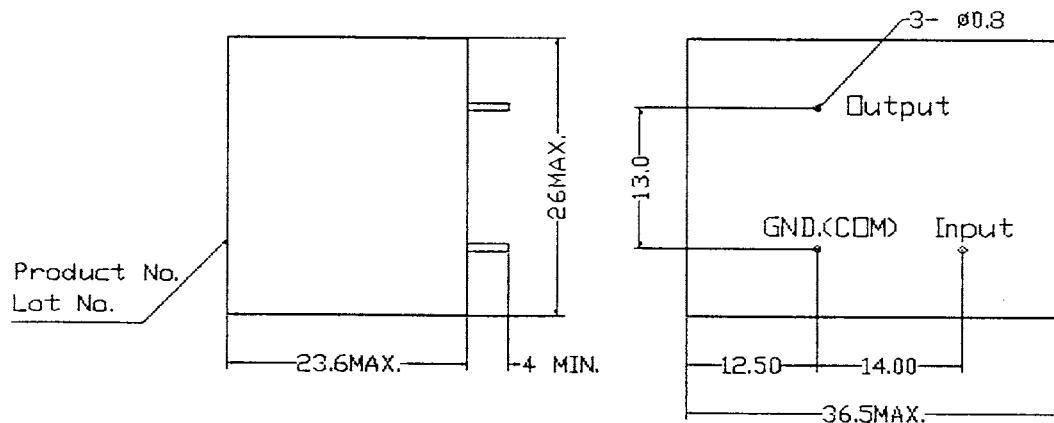
Item	SYM	Unit	Test condition	Ratings.
Oscillation Min. Voltage	Vin	VDC		2.0 Min.
I/P CURRENT	Iin	mA	Vin = 5.0VDC	26 – 42
O/P VOLTAGE	Vout	Vrms	Vin = 5.0VDC	72 – 92
O/P FREQUENCY	fosc	Hz	Vin = 5.0VDC	360 – 460
Over Voltage I/P current		mA	Vin = 6.0VDC	60 Max.

Vin=5V ± 10%, Ta=25°C, applied load area ≈ 45 cm²

2. Absolute maximum ratings

Item	SYM	Min.	Max.	Unit
INPUT VOLTAGE	Vin	0	6.0	VDC
OPERATING TEMP.	Top	0	50	°C
STORAGE TEMP.	Tstg	-20	65	°C

3. Outline dimension (in mm):



Package Material : ABS Resin, Color : Black, Internal: Epoxy Resin Compound

Note:

- Breakdown may occur if power is applied without EL lamp connected to load side.
- Operation with the output short-circuited may cause breakdown.
- Never exceed input voltage specification.

DOC. NO.	WAC-9712002	ISSUED BY:	REVISION	DESCRIPTION
DRAWN :				
CHECKED :				
APPROVED:			SHEET	1 OF 1

Visualux Ltd

PO Box 30
 Ilfracombe Tel: +44(0)1271 865865
 North Devon Fax: +44(0)1271 865830
 EX34 8YT email: sales@visualux.com
 United Kingdom

MODEL NO.	VLXINV-7030	ISSUED DATE:	DEC. 31, 1997
-----------	-------------	--------------	---------------

1. Electrical characteristics

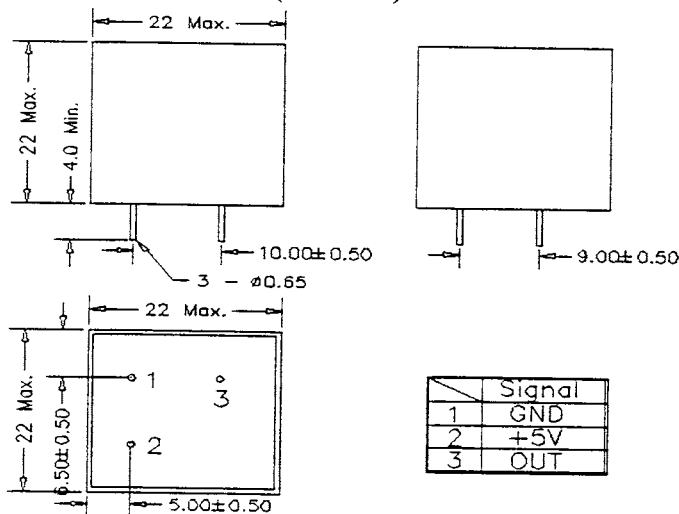
Item	SYM	Unit	Test condition	Ratings.
Oscillation Min. Voltage	Vin	VDC		2.0 Min.
I/P CURRENT	Iin	mA	Vin = 5.0VDC	70 Typ.
O/P VOLTAGE	Vout	Vrms	Vin = 5.0VDC	85 - 120
O/P FREQUENCY	fosc	Hz	Vin = 5.0VDC	480 - 720

Vin=5V ± 10%, Ta=25°C, applied load area ≈ 70 cm²

2. Absolute maximum ratings

Item	SYM	Min.	Max.	Unit
INPUT VOLTAGE	Vin	0	6.0	VDC
OPERATING TEMP.	Top	0	50	°C
STORAGE TEMP.	Tstg	-20	65	°C

3. Outline dimension (in mm):



Package Material : ABS Resin, Color : Black, Internal: Epoxy Resin Compound

Note:

- Breakdown may occur if power is applied without EL lamp connected to load side.
- Operation with the output short-circuited may cause breakdown.
- Never exceed input voltage specification.

DOC. NO.	WAC-9712005	ISSUED BY:	REVISION	DESCRIPTION
DRAWN :				
CHECKED :				
APPROVED:			SHEET	1 OF 1

Visualux Ltd

PO Box 30
 Ilfracombe Tel: +44(0)1271 865865
 North Devon Fax: +44(0)1271 865830
 EX34 8YT email: sales@visualux.com
 United Kingdom

MODEL NO.	VLXINV-7040	ISSUED DATE:	DEC. 31, 1997
-----------	-------------	--------------	---------------

1. Electrical characteristics

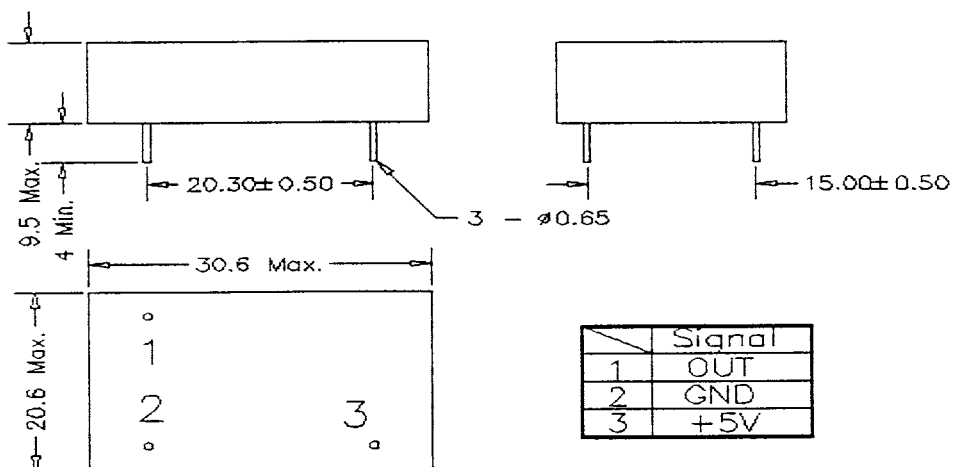
Item	SYM	Unit	Test condition	Ratings.
Oscillation Min. Voltage	Vin	VDC	.	2.0 Min.
I/P CURRENT	Iin	mA	Vin = 5.0VDC	70 Typ.
O/P VOLTAGE	Vout	Vrms	Vin = 5.0VDC	85 - 120
O/P FREQUENCY	fosc	Hz	Vin = 5.0VDC	480 - 720

Vin=5V ± 10%, Ta=25°C, applied load area ≈ 70 cm²

2. Absolute maximum ratings

Item	SYM	Min.	Max.	Unit
INPUT VOLTAGE	Vin	0	6.0	VDC
OPERATING TEMP.	Top	0	50	°C
STORAGE TEMP.	Tstg	-20	65	°C

3. Outline dimension (in mm):



Package Material : ABS Resin, Color : Black, Internal: Epoxy Resin Compound

Note:

- Breakdown may occur if power is applied without EL lamp connected to load side.
- Operation with the output short-circuited may cause breakdown.
- Never exceed input voltage specification.

DOC. NO.	WAC-9712006	ISSUED BY:	REVISION	DESCRIPTION
DRAWN :				
CHECKED :				
APPROVED:			SHEET	1 OF 1

Visualux Ltd

PO Box 30

Ifracombe

North Devon

EX34 8YT

United Kingdom

Tel: +44(0)1271 865865

Fax: +44(0)1271 865830

email: sales@visualux.com

MODEL NO.	VLXINV-7050	ISSUED DATE:	DEC. 28, 1997
-----------	-------------	--------------	---------------

1. Electrical characteristics

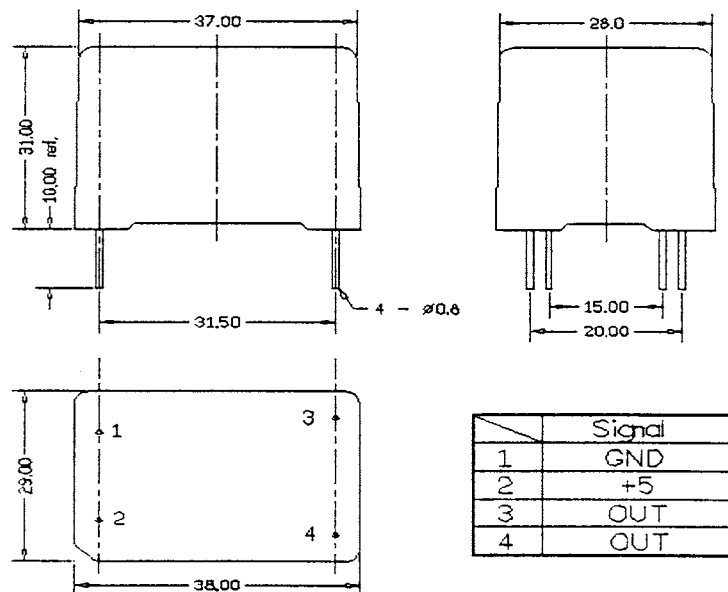
Item	SYM	Condition	Min.	Typ.	Max.	Unit
I/P VOLTAGE	Vin		4.5	5.0	5.5	V
I/P CURRENT	Iin		270	300	330	MA
O/P VOLTAGE	Vout		102	110	118	Vrms
O/P FREQUENCY	fosc		390	400	410	Hz

Vin=5V ± 10%, Ta=25°C, applied load area = 100 cm², color : blue green

2. Absolute maximum ratings

Item	SYM	Min.	Max.	Unit
INPUT VOLTAGE	Vin	0	6.0	VDC
OPERATING TEMP.	Top	0	50	°C
STORAGE TEMP.	Tstg	-20	65	°C

3. Outline dimension (in mm):



Note:

- Breakdown may occur if power is applied without EL lamp connected to load side.
- Operation with the output short-circuited may cause breakdown.
- Never exceed input voltage specification.

DOC. NO.	WAC-9712003	ISSUED BY:	REVISION	DESCRIPTION
DRAWN :				
CHECKED :				
APPROVED:			SHEET	1 OF 1